

Laundry Tray Pumps

The pump prevents unsanitary water in the laundry tub by pumping it up to a septic or sewer line.

Features:

115V electric motor
Single phase 60 Hz
Motor: 1/8 H.P.
Height: 11.6
Easy installation and mounting
Intake Opening: 1 1/4"
Discharge opening: 3/4"
Maximum head 10 feet
Guaranteed

Trouble shooting:

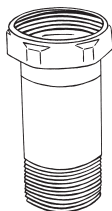
- ✓ Keep manual-inline-switch at Automatic Setting?
- ✓ Use Mounting nipple & Washer supplied with pump?
- ✓ Install 3/4" swing check valve on discharge line?

Water Softener discharge Not recommended

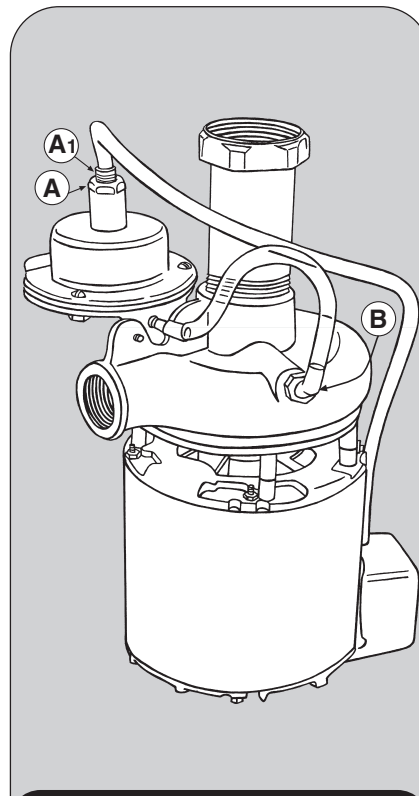
Available as a manual unit (3-12) that can be converted to an automatic if needed.

Quick Mount Fitting

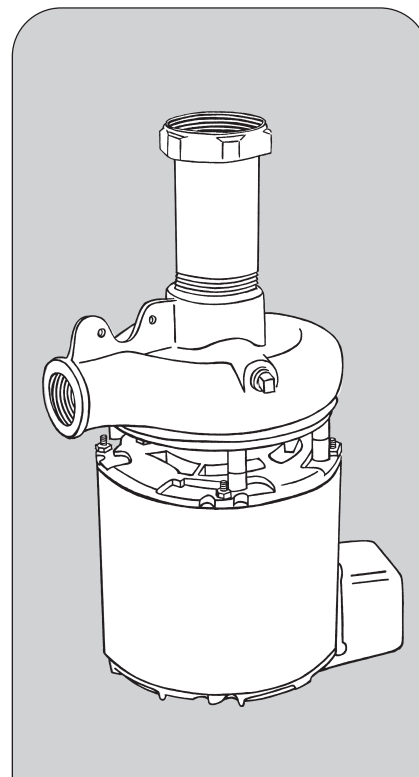
Shellback laundry tray pump with "Quick Mount" (patented) is installed in minutes without turning pump. Simply tighten slip nut and pump is mounted.



WARNING
Any power source with
overload protection
greater than 15 amps
COULD CAUSE FIRE!



Model 3-12-19

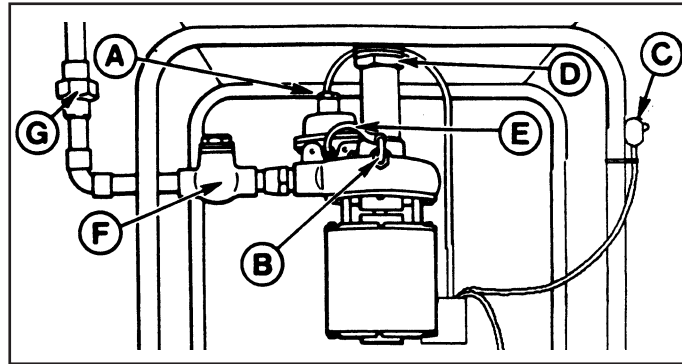


Model 3-12

SHELLBACK
Manufacturing Company

1320 East Elza
Hazel Park, MI 48030
Tel (248) 544-4600
Fax (248) 543-1748

Laundry Tray Pumps



Model 3-12-19

Use no Circuit (Fuse) larger than 15 AMP.

This Pump is designed to remove liquids only. It is recommended that a strainer be installed in sink drain to prevent debris or solid items from entering and becoming lodged in this pump. If a washing machine is discharging into your tub a lint catcher is required.

This unit has been preset and tested to start with 6" to 8" of water in the tray and off with 1/2" to 1" remaining. Then use Manual switch to empty. **This is the OPTIMAL setting.**

- A** This controls the Automatic function of the pump. To raise the start and stop time loosen the nut twist the threads (A1) counter clock wise (increasing the thread count) To lower the start and stop time turn (A1) clock wise (decreasing the thread count).
- B** Copper Tube. Normal setting - 3/4" - 1" out from pump and pointing straight up to the tub. If the pump is pulsating check the positioning of this tube, if set correctly and still pulsating pull in or out by 1/4".
- C** Manual-inline-switch. Override the automatic control at any time. Use to remove the 1/2" to 1" remaining after the Automatic function stops. Away from the cord down is Auto toward the cord down is manual. Always return to Automatic setting.
- D** Quick Mount Fitting. Fits Standard 1 1/2" tub connection. Insert Plastic Washer (Packaged on cords) in nipple (D) before attaching to tub.
- E** Rubber sensing tube.
- F** 3/4" Swing Check Valve & Nipple. (not included)
A Check Valve is necessary for proper operation.
- G** 3/4" Union. (not included)

SHELLEBACK

Manufacturing Company

1320 East Elza
Hazel Park, MI 48030
Tel (248) 544-4600
Fax (248) 543-1748